

Digital Sweep Generator

The digital sweep generator is based on the Dig_TX board. The DSP and its memory, as well as the audio- and RF-ADCs remain unassembled. Signal synthesis is completely performed within the FPGA. A miniMAX-40 module with a little hand-made logic on a prototype board controls the sweep generator. The FPGA master clock frequency is 80 MHz.

A seventh order reconstruction filter is implemented at the RF-DAC output. With a 40 MHz Nyquist frequency, the bandwidth design target for the sweep generator was 100 kHz ~ 30 MHz. The lower frequency is limited by a transformer between the DAC and the LP filter, while the upper frequency is limited by the filter roll-off.

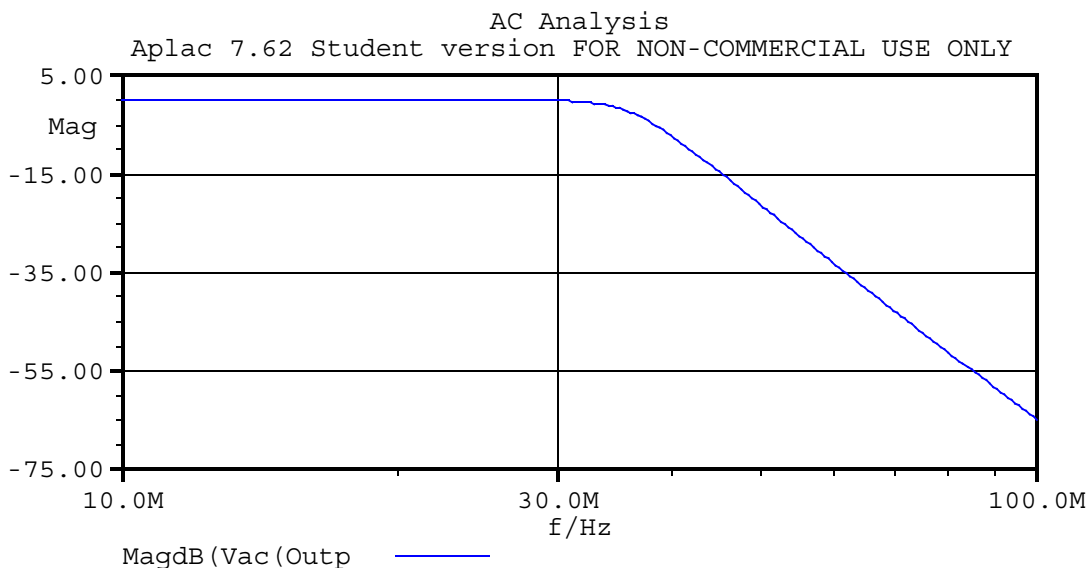
The maximum usable frequency is that frequency below the Nyquist frequency ($f_n = f_{clk}/2$; f_{clk} =master clock frequency), at which the alias frequency $f_a = f_{clk}-f_o$ (f_a =alias frequency, f_o =desired output frequency) is still sufficiently attenuated. The term „sufficiently“ is application dependent and means that the alias signal and its intermodulation products must not disturb the desired signal. Generally it is a good idea to attenuate the alias signal to below the required signal-to-noise ratio of the DDS signal generator. For the digital sweep generator, which shall be used for measurement applications, a minimum SNR of 60 dB seems adequate. While that is not extremely good if compared to commercially available sweep generators, it is sufficient for amateur measurements. In most cases, the SNR is actually better than 70 dB.

In order to keep the passband ripple flat, so that a wide frequency range can be covered without introducing artificial ripple due to the anti-aliasing filter response, a seventh order Butterworth lowpass filter was initially considered and implemented. Its attenuation at 30 MHz was below 1 dB, but the attenuation at the alias of 50 MHz was less than 30 dB. The filter has been designed for 50 Ω input and output impedance. The following table shows the calculated and the really selected capacitances and inductivities. Also the number of windings on an Epcos (Siemens) double hole core type B62152 A8-X17 ($A_L=9nH/W^2$) for the inductivities are listed. Fractions are estimated values.

Seventh order Butterworth filter (-1dB at 30 MHz; -30dB at 58 MHz)

component	ideal value	real values	turns
L1	300 nH	297 nH	5 3/4
L2	482 nH	410 nH	6 3/4
L3	300 nH	297 nH	5 3/4
C50	43 pF	44 pF	-
C51	174 pF	165 pF	-
C52	174 pF	165 pF	-
C53	43 pF	44 pF	-

Simulation results with real values:



It turned out, that the attenuation of the alias frequency was not satisfactory. Either a higher order Butterworth filter or a change of the filter topology to a much steeper Chebychev filter of the same seventh order was required. A higher order Butterworth filter will be considered for a future redesign, but for the existing board, it was more convenient to implement a Chebychev filter.

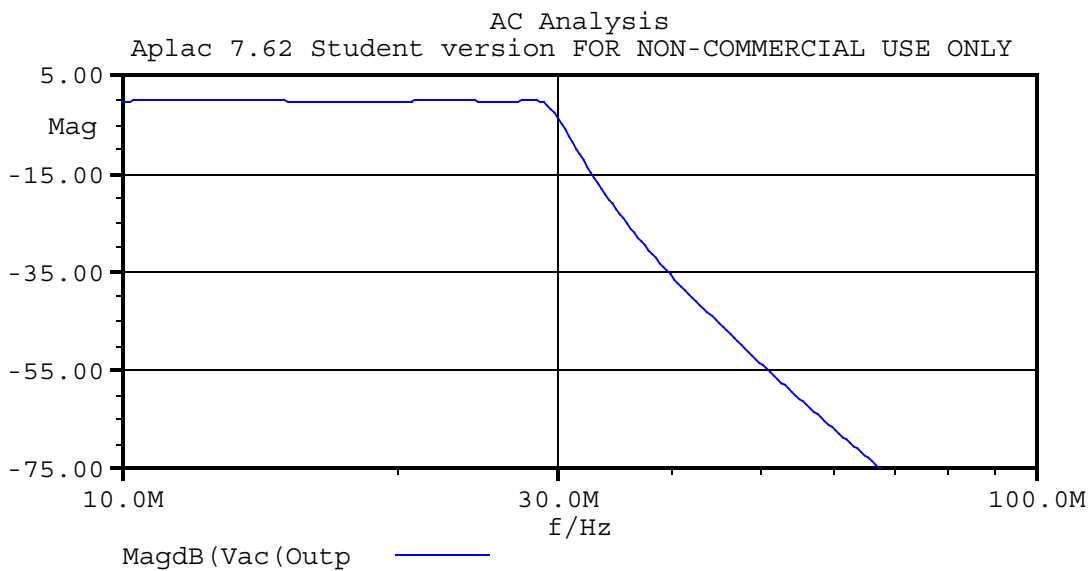
The goal was to find a compromise between the passband ripple and a steep filter transition. The following table shows the calculated and the really chosen values for a 7th order Chebychev filter with 0.5 dB passband ripple up to 30 MHz and almost 60 dB attenuation at 50 MHz.

Seventh order Chebychev filter (-0.5 dB at 30 MHz; -60 dB at 50 MHz)

component	ideal value	real values	turns
L1	334 nH	350 nH	7
L2	357 nH	375 nH	7 1/4
L3	334 nH	350 nH	7
C50	184 pF	183 pF (150//33)	-
C51	280 pF	288 pF (220//68)	-
C52	280 pF	288 pF (220//68)	-
C53	184 pF	183 pF (150//33)	-

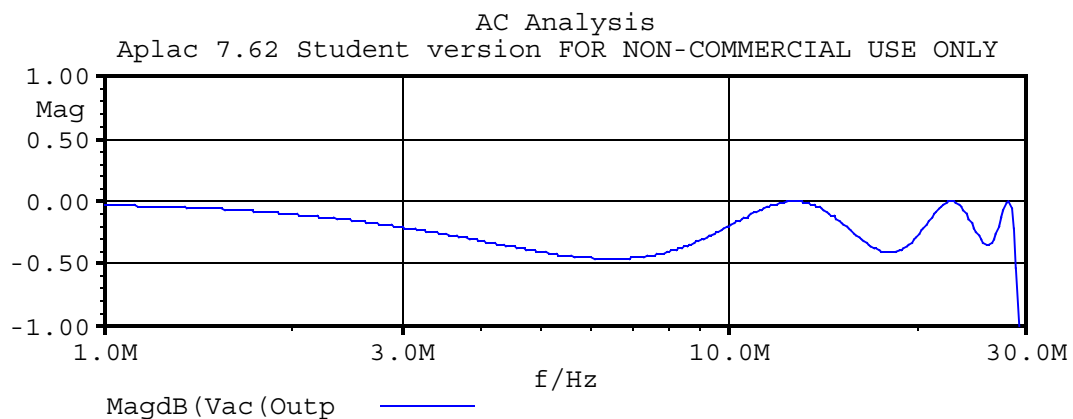
(real value means calculated, not measured!)

Simulation results with real values:



Due to the unprecise realisation with the real values, the attenuation of 0.5 dB is already reached at about 29 MHz.

The following diagram shows the passband ripple of the Chebychev filter.



miniMAX-40 LCA Pinout

Pin	Description	XC 3020	XC 3030	XC 3042	Signal	connector
1	DOUT-I/O				DOUT	J1-59
2	CCLK				CCLK	J1-61
3	VCC				VCC	J1-1
4	GND				GND	63,64
5	A0--I/O				NIOWR	J2-32
6	A1-CS2-I/O				CSLCA	-
7	I/O				-	-
8	A2-I/O				NIORD	J2-31
9	A3-I/O				Taster U/D (In)	J1-44
10	I/O				Taster L/R (In)	J1-43
11	I/O				Drehgeber B (In)	J1-41
12	A15-I/O				A15	J2-18
13	A4-I/O				IO24	J1-40
14	A14-I/O				A14	J2-17
15	A5-I/O				IO23	J1-39
16	GND				GND	63,64
17	A13-I/O				A13	J2-16
18	A6-I/O				SER_SPARE	J1-38
19	A12-I/O				A12	J2-15
20	A7-I/O				SERADR (Out)	J1-37
21	I/O				BS0	J2-52
22	I/O				SERDATA (Out)	J1-36
23	A11-I/O				A11	J2-14
24	A8-I/O				SERCLK (Out)	J1-35
25	A10-I/O				A10	J2-13
26	A9-I/O				-5V clock (Out)	J1-33
27	VCC				VCC	J1-1
28	GND				GND	63,64
29					VCC	J1-1
30	TCLKIN-I/O				CLKOUT	J2-47
31	I/O				IO16	J1-32
32	I/O				IO13	J1-29
33	I/O				IO14	J1-30
34	I/O				LCD_E (Out)	J1-27
35	I/O				IO12	J1-28
36	I/O				LCD_RS (Out)	J1-25
37	I/O				LCD_R/W (Out)	J1-26
38	I/O				LCD_DB6 (I/O)	J1-23
39	I/O				LCD_DB7 (I/O)	J1-24
40	I/O				LCD_DB4 (I/O)	J1-21
41	VCC				VCC	J1-1
42	I/O				LCD_DB5 (I/O)	J1-22
43	I/O				LCD_DB2 (I/O)	J1-19
44	I/O				LCD_DB3 (I/O)	J1-20
45	I/O				LCD_DB0 (I/O)	J1-17

46	I/O				NMRD	J2-29
47	I/O				NMWR	J2-30
48	I/O				SELECT	J1-58
49	I/O				LCD_DB1 (I/O)	J1-18
50	I/O				TOUT1	J2-48
51	I/O				STDP	-
52	M1-				GND	63,64
53	GND				GND	63,64
54	M0-RT				VCC	J1-1
55	VCC				VCC	J1-1
56	M2-I/O				VCC	J1-1
57	HDC-I/O				IO15	J1-31
58	I/O				LCD Backlight PWM (Out)	J1-34
59	-I/O				SSN	-
60	I/O				A16PS0	-
61	I/O				A17PS1	-
62	I/O				A18PS2	-
63	I/O				A19PS3	-
64	I/O				Drehgeber A (In)	J1-42
65	-I/O				NINIT	-
66	GND				GND	63,64
67	I/O				HLDAK	J2-46
68	I/O				HLDRQ	J2-45
69	I/O				INTP3	J2-58
70	I/O				INTP2	J2-57
71	I/O				INTP1	J2-56
72	I/O				DMARQ0	J2-36
73	I/O				NDMAAK0	J2-37
74	I/O				DMARQ1	J2-38
75	I/O				NDMAAK1	J2-39
76	XTAL2-I/O				D6 (Wobbel-PA)	J1-45
77	GND				GND	63,64
78					NRESET	J1-57
79	VCC				VCC	J1-1
80	DONE-				DONEPG	J1-62
81	D7-I/O				AD7	J2-10
82	BCLKIN-XTAL1-I/O				BCLKIN	J1-56
83	D6-I/O				AD6	J2-9
84	I/O				D12 (Wobbel-PA)	J1-46
85	I/O				D24 (Wobbel-PA)	J1-47
86	I/O				ASTB	J2-28
87	D5-I/O				AD5	J2-8
88	-I/O				A8	J2-11
89	D4-I/O				AD4	J2-7
90	I/O				BUFRW	J2-34
91	VCC				VCC	J1-1
92	D3-I/O				AD3	J2-6
93	-I/O				A9	J2-12

94	D2-I/O				AD2	J2-5
95	I/O				D48 (Wobbel-PA)	J1-48
96	I/O				BS1	J2-53
97	I/O				BS2	J2-54
98	D1-I/O				AD1	J2-4
99	-/RDY-I/O				NBUSY	-
100	D0-DIN-I/O				AD0	J2-3

Folgende Register sind im XC3030 FPGA auf dem MiniMax-40 Board definiert und an der jeweils angegebenen I/O-Adresse vom V40HL aus ansprechbar:

0x7000 LCD Data Register

7	6	5	4	3	2	1	0
LCD_DB7	LCD_DB6	LCD_DB5	LCD_DB4	LCD_DB3	LCD_DB2	LCD_DB1	LCD_DB0
R/W	R/W	R/W	R/W	R/W	R/W	R/W	R/W

Data to be written to or read from LCD. The direction is switched by LCD Data Direction Register.

0x7001 LCD Control Register

7	6	5	4	3	2	1	0
-	-	-	-	-	E	R/W	RS
-	-	-	-	-	W	W	W

LCD control signals.

0x7002 LCD Backlight

7	6	5	4	3	2	1	0
-	-	-	-	B3	B2	B1	B0
-	-	-	-	W	W	W	W

Brightness of LCD backlight. B[3..0] = 0000: Backlight off; B[3..0] = 1111: Backlight max

0x7003 Keyboard Input

7	6	5	4	3	2	1	0
-	-	-	-	Taste U/D	Taste L/R	Drehgbr B	Drehgbr A
-	-	-	-	R	R	R	R

Inputs the logical levels of the keys on the front panel. An interrupt is generated when these values change.

0x7004 LCD Data Direction Register

7	6	5	4	3	2	1	0
-	-	-	-	-	-	-	DIR
-	-	-	-	-	-	-	W

DIR=0: LCD port is input; DIR=1: LCD port is output;

0x7005**Serial Output Buffer**

7	6	5	4	3	2	1	0
SD7	SD6	SD5	SD4	SD3	SD2	SD1	SD0
W	W	W	W	W	W	W	W

Data to be sent via serial port

0x7006**Serial Control/Status Register**

7	6	5	4	3	2	1	0
TXBE	-	-	-	-	-	SPARE	SERADR
R	-	-	-	-	-	R/W	R/W

Data may be written to the serial output buffer, when TXBE is high. SERADR outputs the serial address. The receiver latches the data when SERADR changes its level. SPARE is currently unused.

0x7007**Port4**

7	6	5	4	3	2	1	0
-	-	-	-	D48	D24	D12	D6
-	-	-	-	W	W	W	W

Port4 controls the attenuation of the resistor ladder inside the PA. This ladder consists of four resistor stages with 6, 12, 24 and 48dB attenuation. The attenuation is inserted by a relay, when the respective bit in the Port4 output register is set.

WOBBELTX

1	TCK
2	CONF_DONE
3	nCEO
4	TDO
5	VCCINT
6	
7	
8	
9	
10	GNDINT
11	CLKUSR
12	
13	
14	
15	
16	VCCINT
17	WAITB
18	BSTBB
19	RDB
20	WRB
21	
22	GNDINT
23	RDYnBSY
24	
25	
26	INIT_DONE
27	VCCINT
28	
29	
30	

31	
32	GNDINT
33	DSPCLK
34	
35	
36	
37	VCCINT
38	
39	
40	
41	
42	GNDINT
43	
44	
45	
46	SERCLK
47	VCCINT
48	SERDATA
49	SERADR
50	SER_SPARE
51	GPIO11
52	GNDINT
53	GPIO10
54	Trigger out
55	Marker out
56	GPIO7
57	VCCINT
58	TMS
59	TRST
60	nSTATUS

61	GPIO6
62	GPIO5
63	GPIO4
64	GPIO3
65	GPIO2
66	GPIO1
67	GPIO0
68	DAC_D0
69	GNDINT
70	DAC_D1
71	DAC_D2
72	DAC_D3
73	DAC_D4
74	DAC_D5
75	DAC_D6
76	DAC_D7
77	VCCINT
78	DAC_D8
79	DAC_D9
80	DAC_D10
81	DAC_D11
82	DAC_D12
83	DAC_D13
84	DAC_CLK
85	GNDINT
86	
87	P2
88	P3
89	VCCINT
90	IN, RESETB

91	CLK, CLK_SPX
92	IN
93	GNDINT
94	
95	
96	VCCINT
97	
98	
99	
100	
101	
102	
103	
104	GNDINT
105	
106	ADC_CLK
107	
108	ADC_D11
109	ADC_D10
110	ADC_D9
111	ADC_D8
112	VCCINT
113	ADC_D7
114	ADC_D6
115	ADC_D5
116	ADC_D4
117	ADC_D3
118	ADC_D2
119	ADC_D1
120	ADC_D0

WOBBELTX

121	nCONFIG
122	VCCINT
123	MSEL1
124	MSEL0
125	GNDINT
126	
127	
128	
129	
130	VCCINT
131	
132	
133	
134	
135	GNDINT
136	
137	AUDCLK
138	FSY
139	
140	VCCINT
141	
142	SCK
143	AIDATA
144	
145	GNDINT
146	D0
147	D1
148	D2
149	D3
150	VCCINT

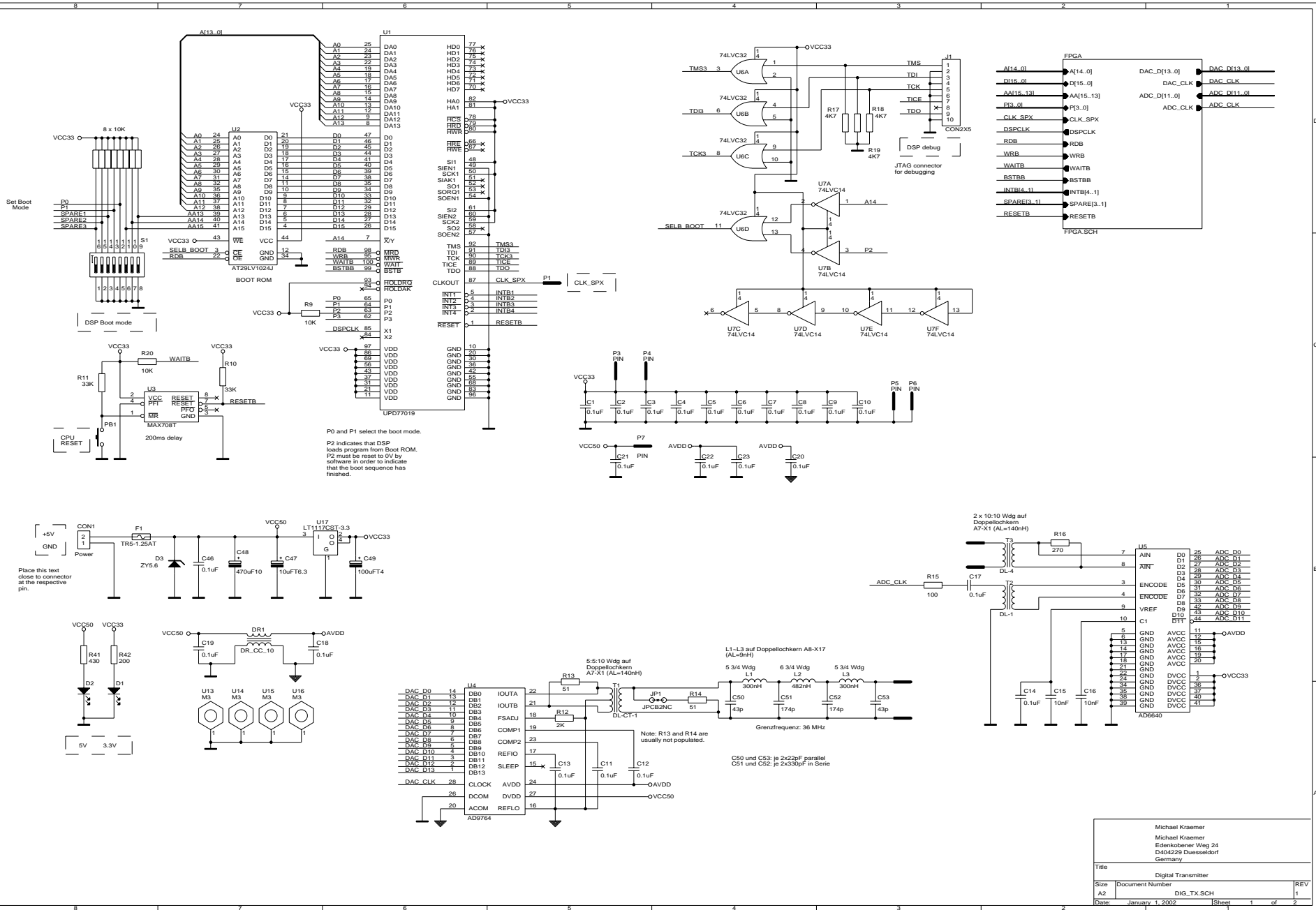
151	D4
152	D5
153	D6
154	D7
155	GNDINT
156	D8
157	D9
158	D10
159	D11
160	VCCINT
161	D12
162	D13
163	D14
164	D15
165	GNDINT
166	
167	
168	
169	
170	VCCINT
171	
172	
173	
174	
175	
176	GNDINT
177	TDI
178	nCE
179	DCLK
180	DATA0

181	DATA1
182	DATA2
183	DATA3
184	
185	DATA4
186	DATA5
187	
188	DATA6
189	VCCINT
190	DATA7
191	SPARE3
192	SPARE2
193	SPARE1
194	AA15
195	AA14
196	AA13
197	GNDINT
198	A0
199	A1
200	A2
201	A3
202	A4
203	A5
204	A6
205	VCCINT
206	A7
207	A8
208	A9
209	DEV_CLRn
210	IN, P0

211	CLK, CLK
212	IN, P1
213	DEV_OE
214	A10
215	A11
216	GNDINT
217	A12
218	A13
219	A14
220	
221	
222	
223	
224	VCCINT
225	INTB1
226	INTB2
227	INTB3
228	INTB4
229	
230	
231	
232	GNDINT
233	
234	
235	
236	nRS
237	
238	nWS
239	CS
240	nCS

Schematics

WOBBELTX



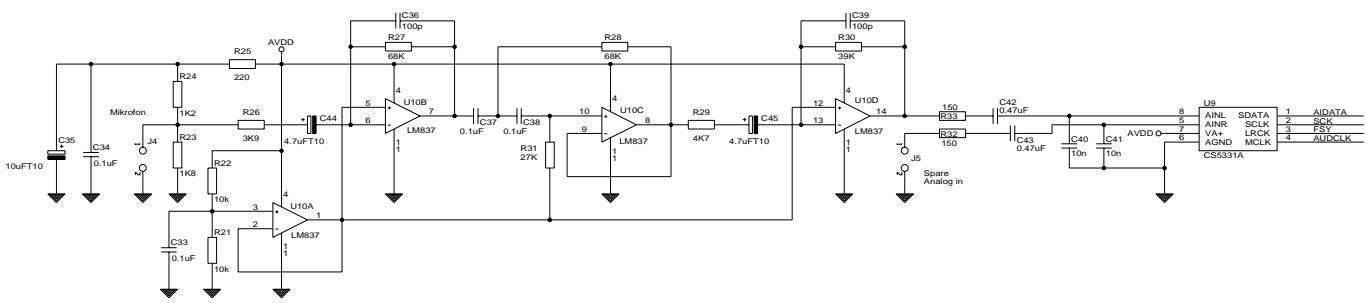
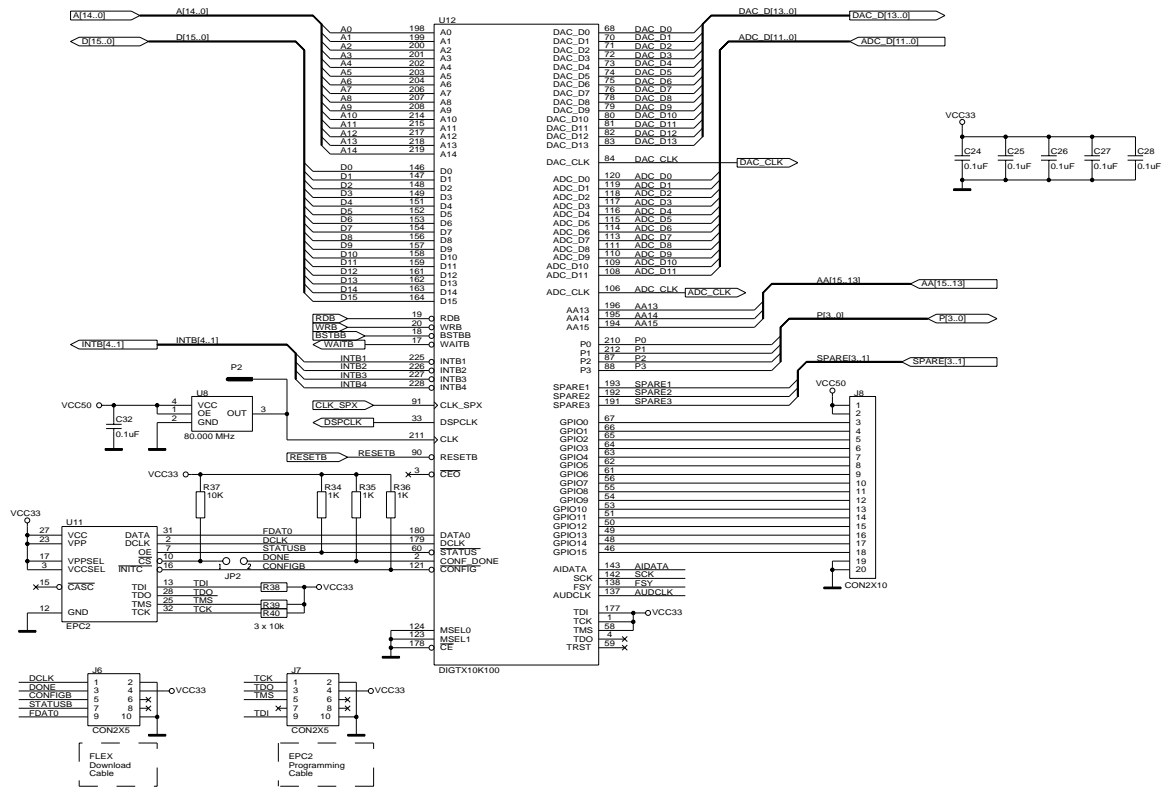
Michael Kraemer
 Michael Kraemer
 Ederkobener Weg 24
 D40429 Duesseldorf
 Germany

Title: Digital Transmitter

Size: Document Number: REV 1

A2: DIG_TX.SCH

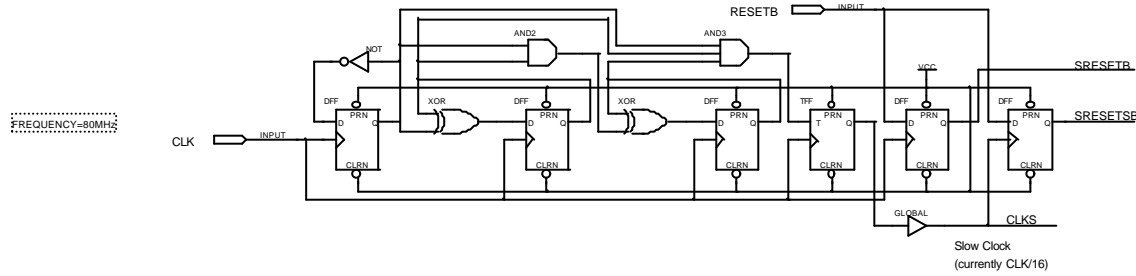
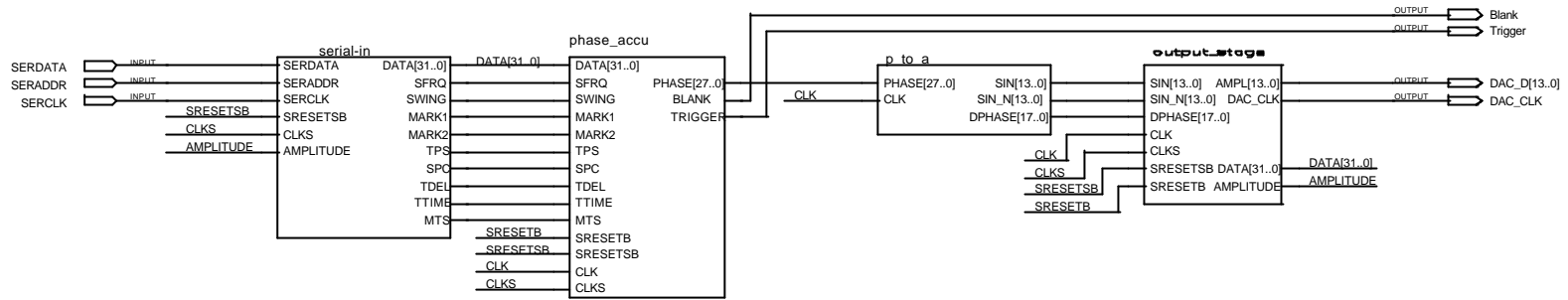
Date: January 1, 2002 Sheet 1 of 2

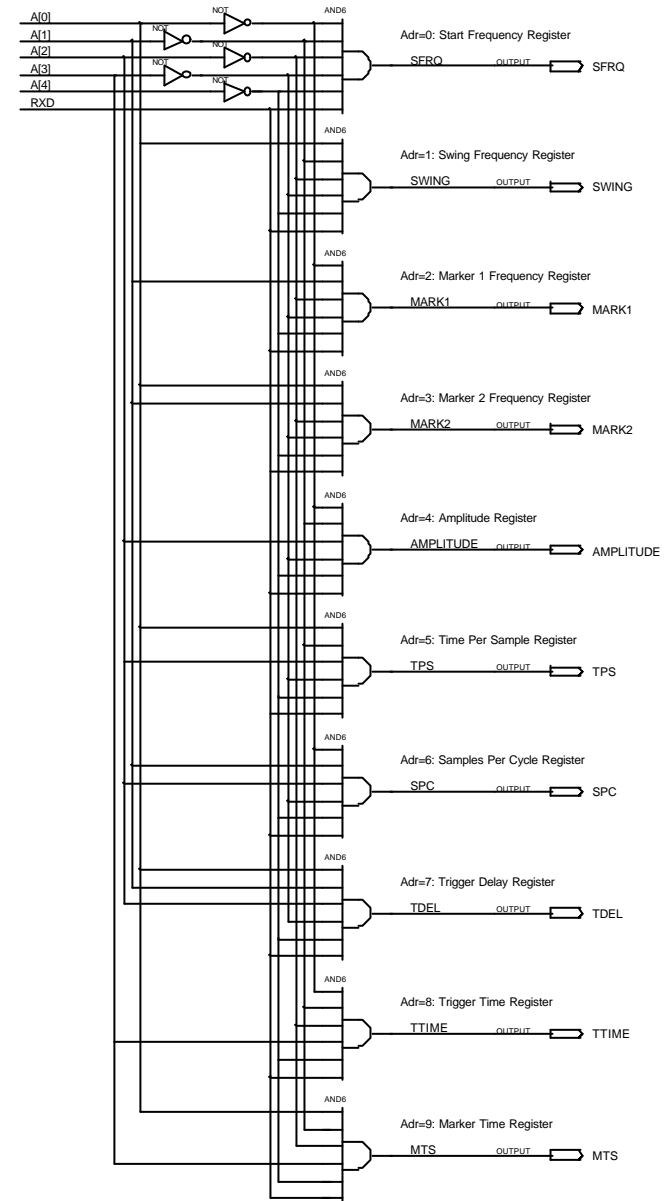
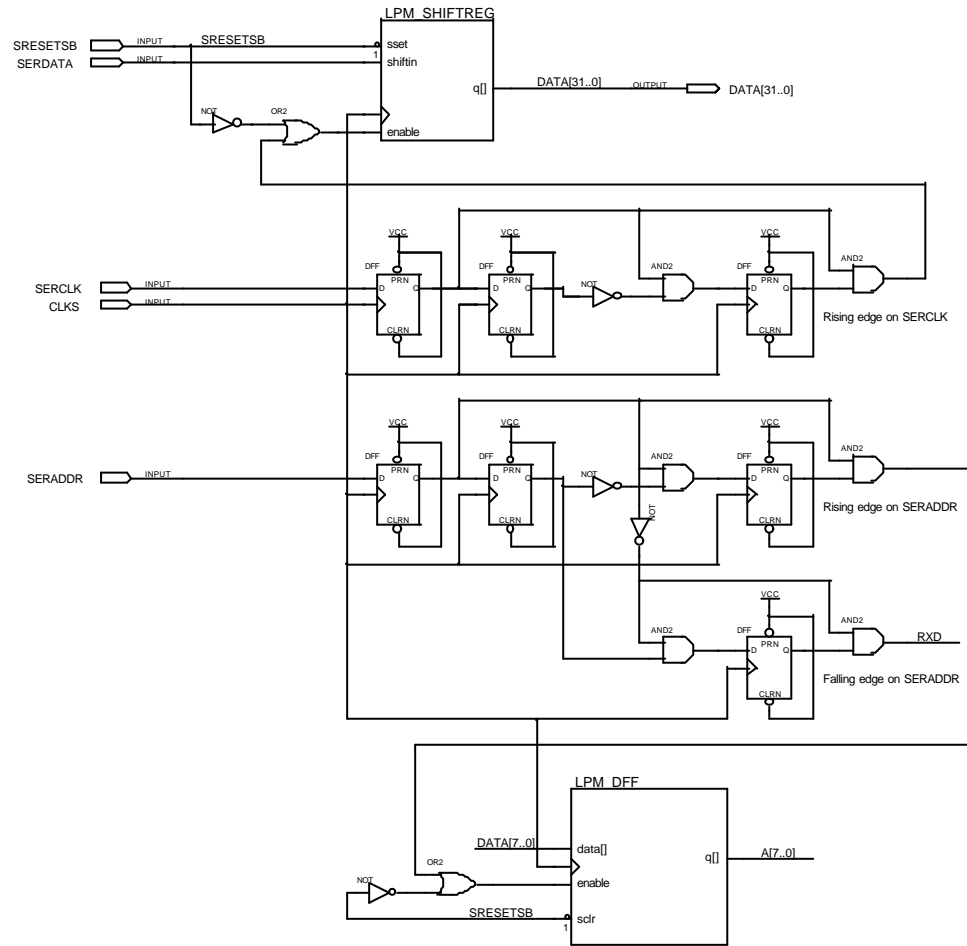


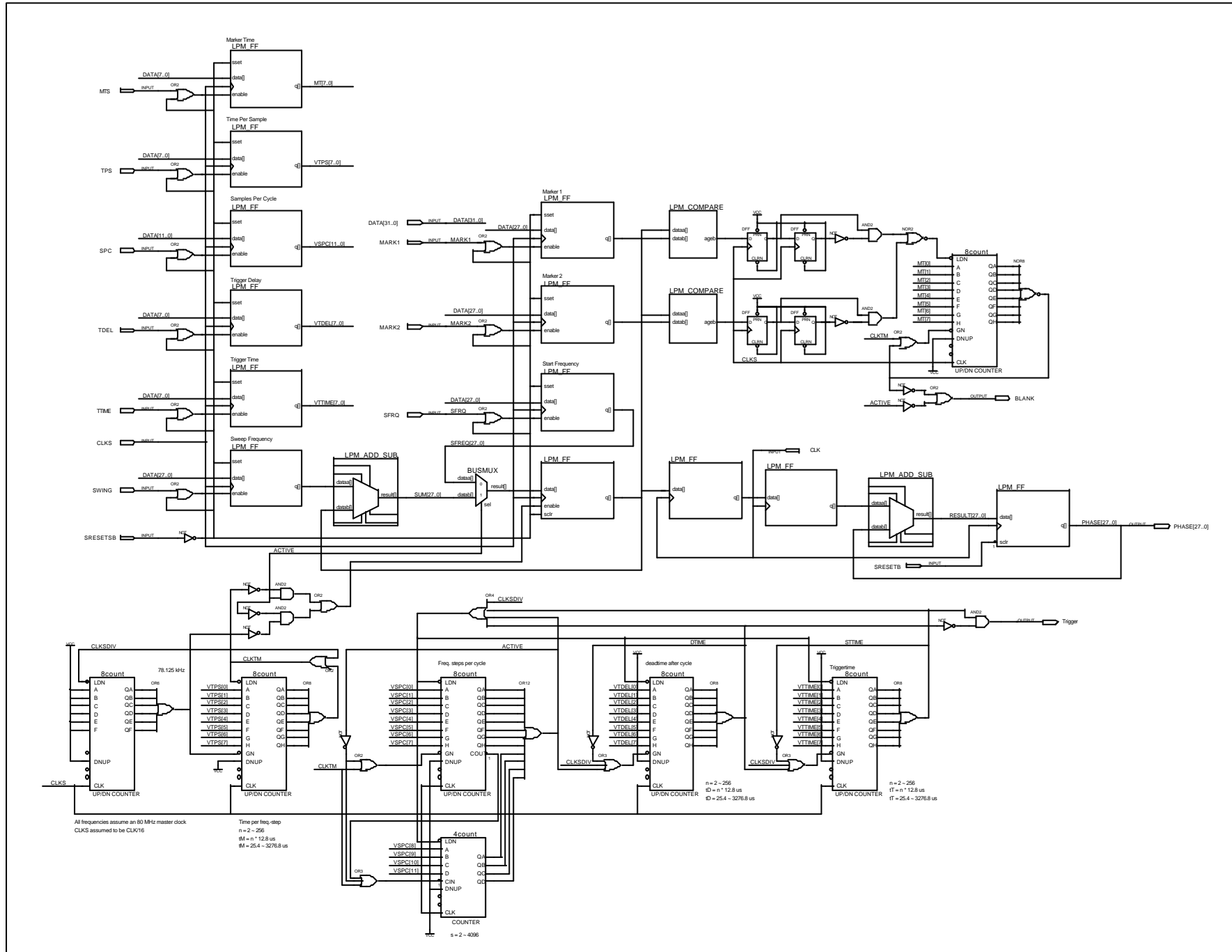
NEC Electronics (Europe) GmbH Michael Kraemer Oberrather Strasse 4 D40472 Duesseldorf Germany			
Title	PIL0 Audio 1		
Size	Document Number	REV	
A2	PIL0AUD1.SCH	1	
Date:	January 1, 2002	Sheet	2 of 2

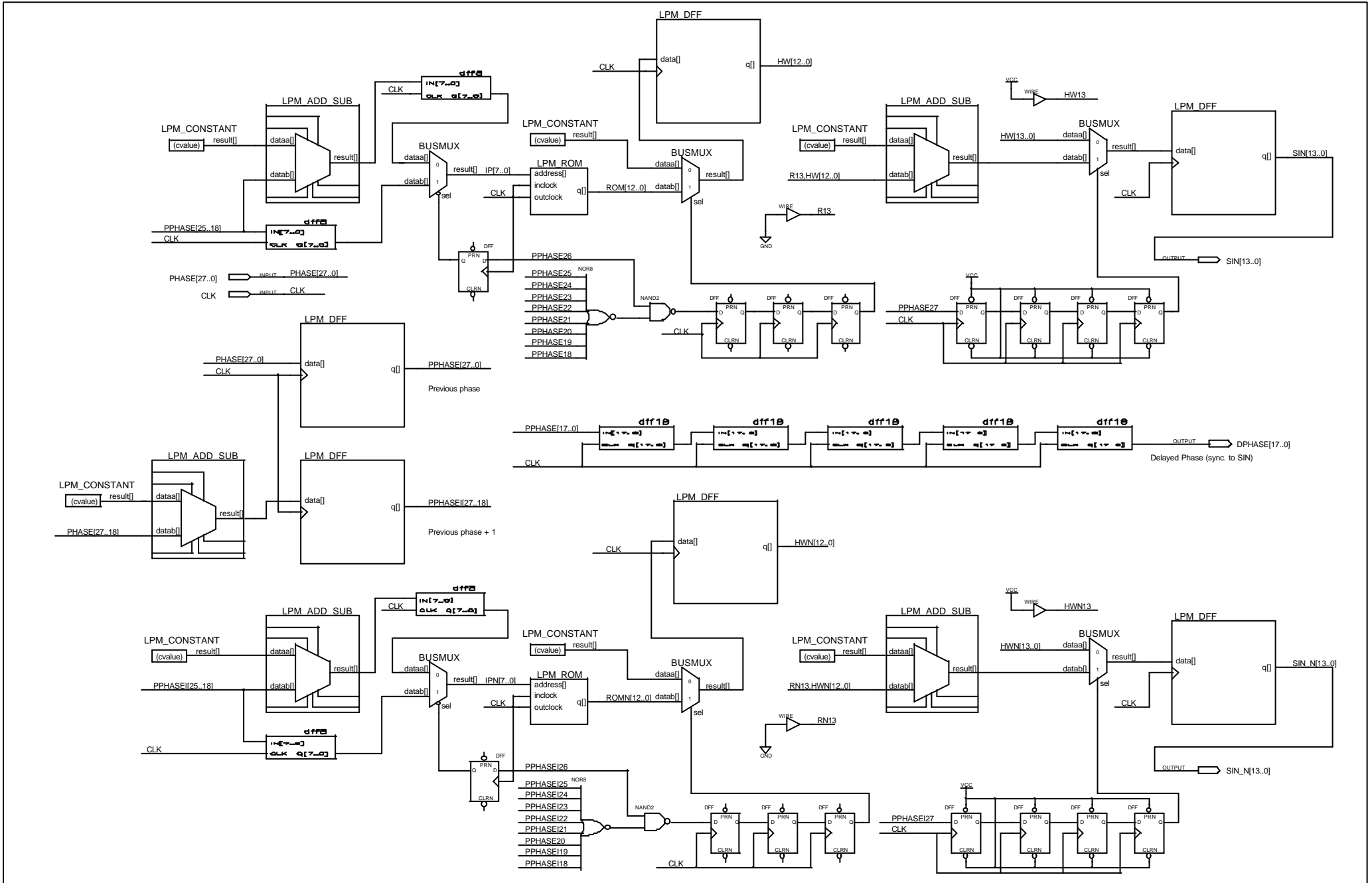
Schematics

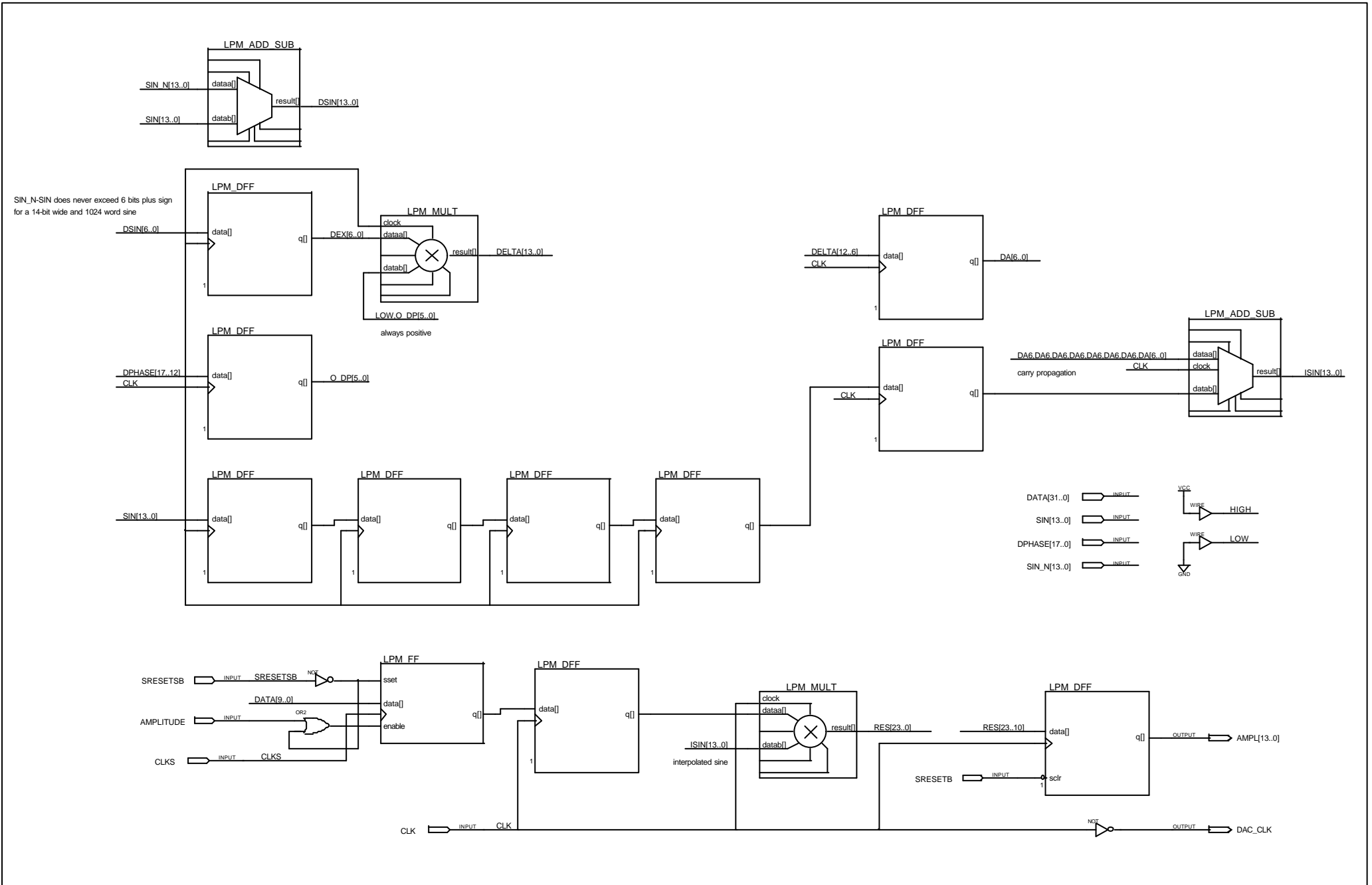
Wobbel-FPGA





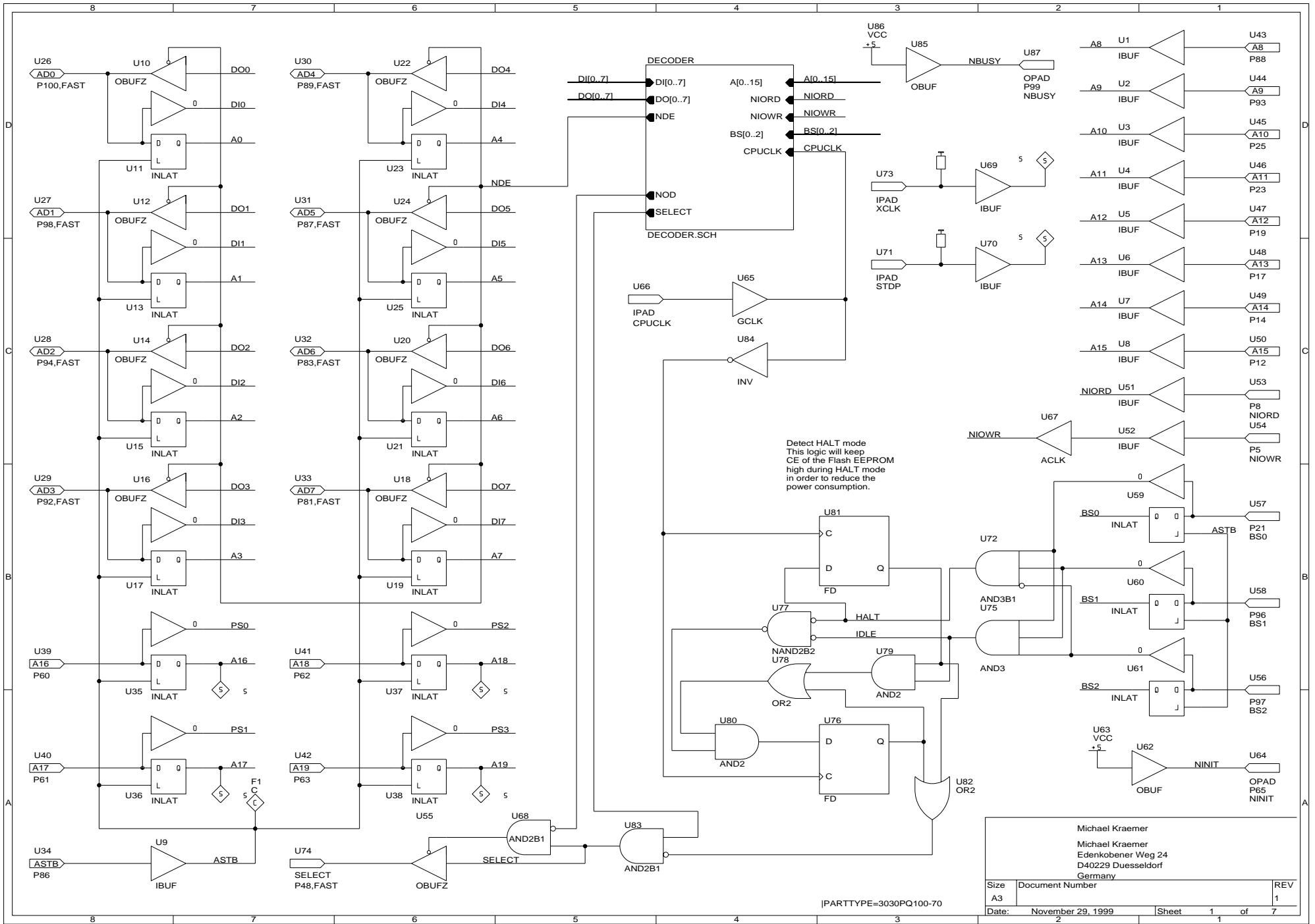






Schematics

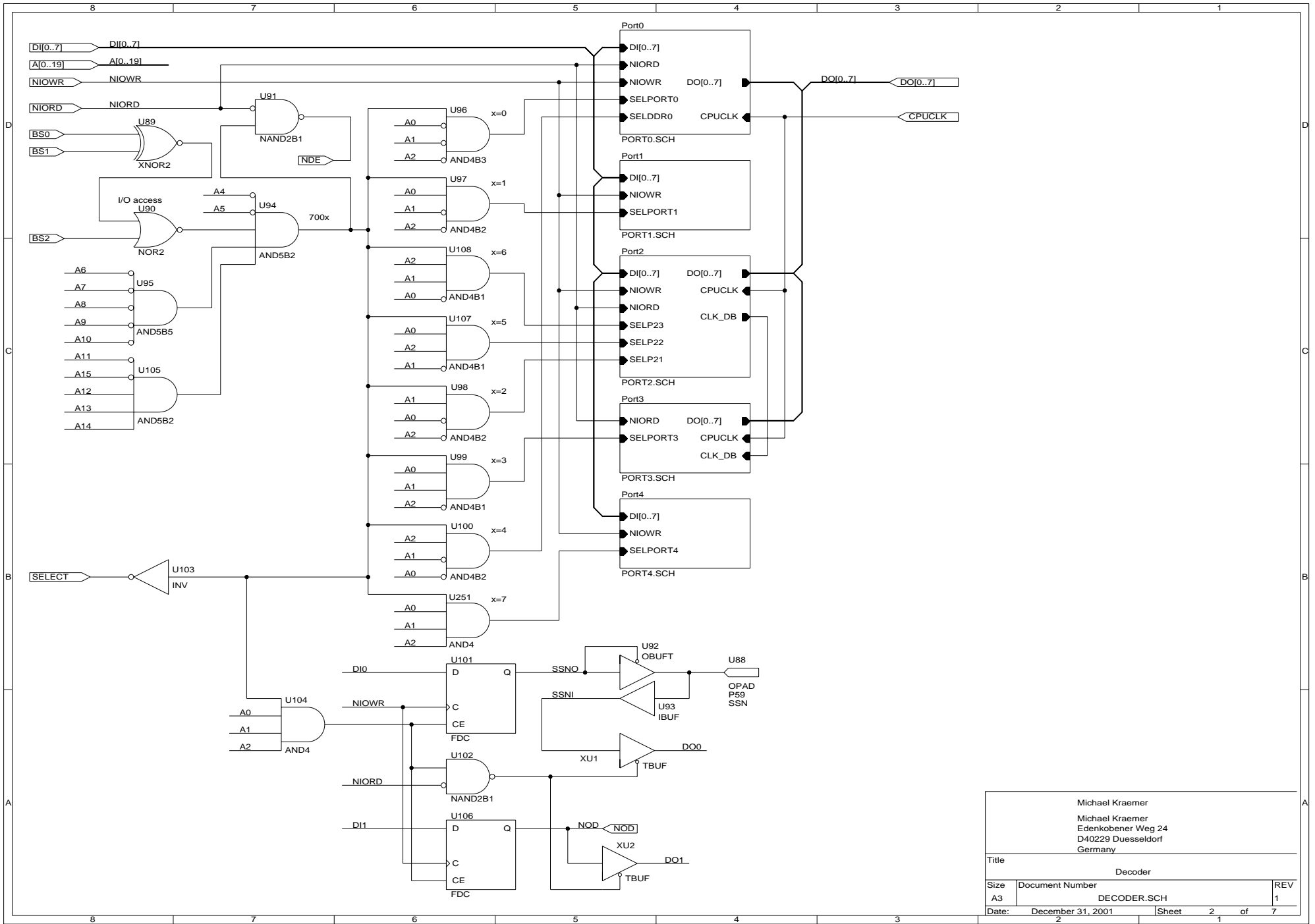
MiniMAX-FPGA



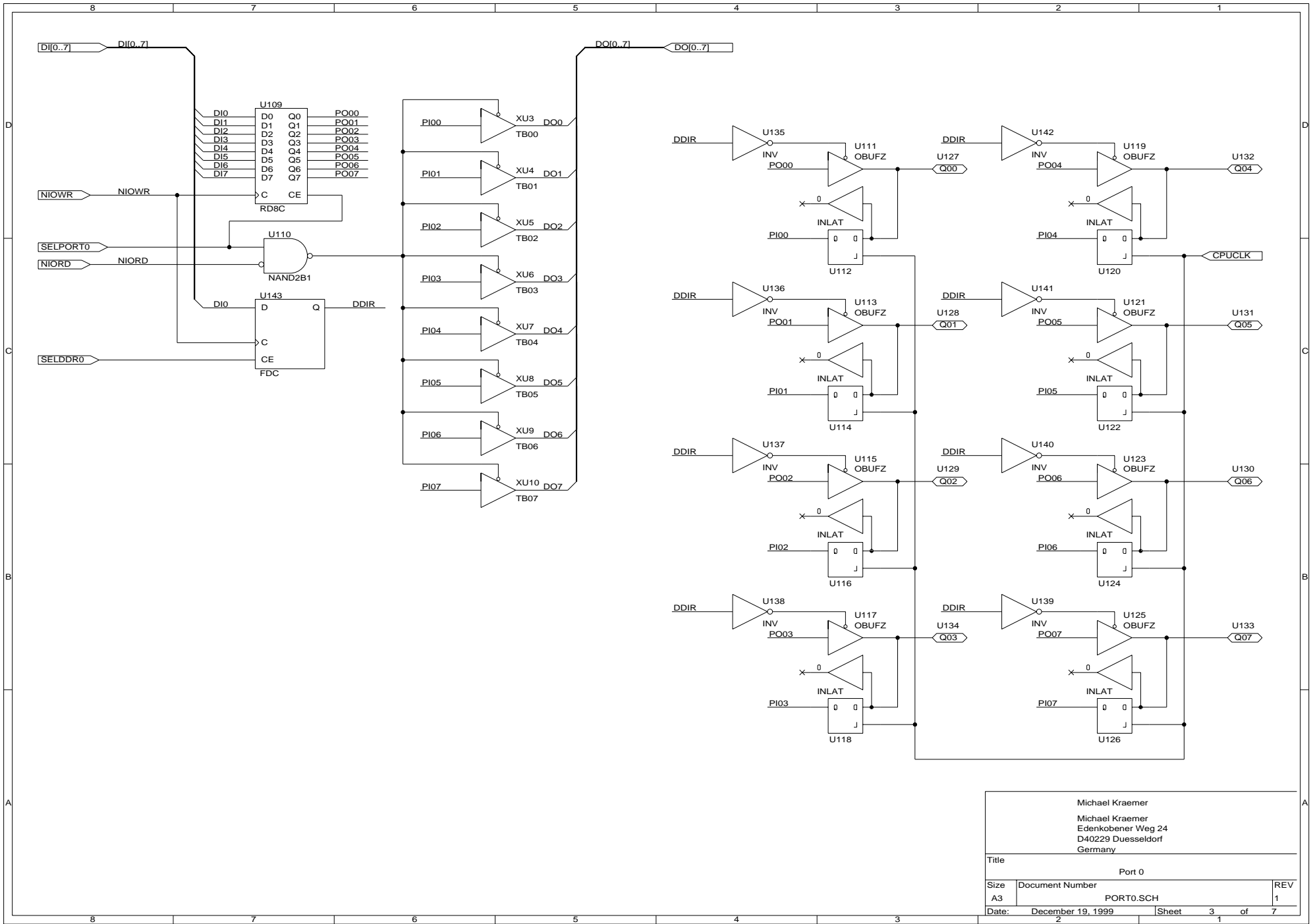
Michael Kraemer
 Michael Kraemer
 Edenkobener Weg 24
 D40229 Duesseldorf
 Germany

Size A3	Document Number	REV 1
Date: November 29, 1999	Sheet 1	of 7

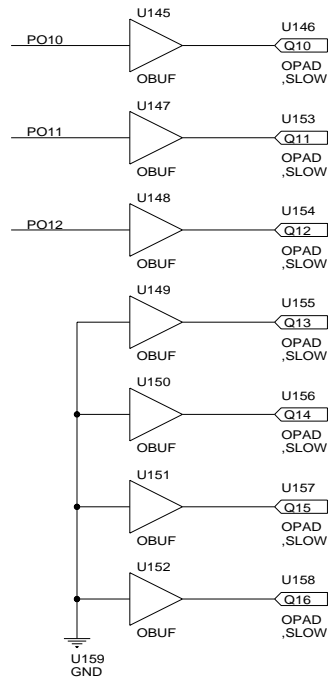
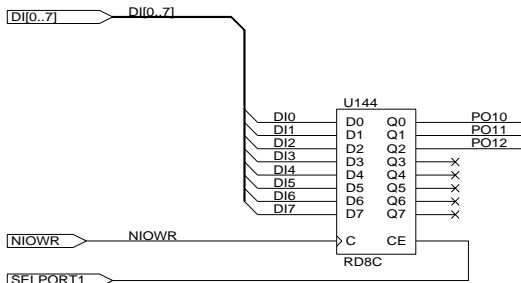
|PARTTYPE=3030PQ100-70



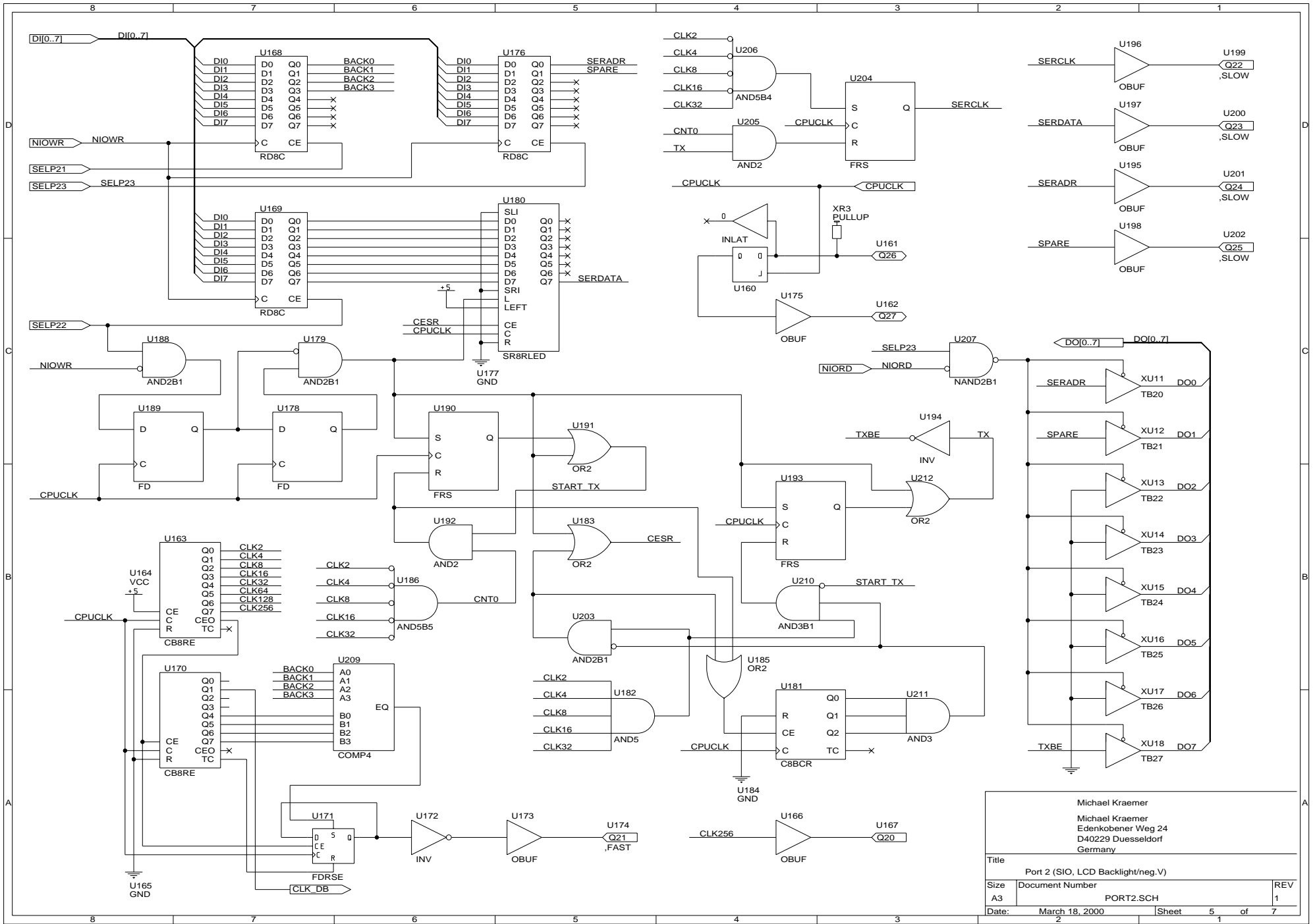
Michael Kraemer Michael Kraemer Edenkobener Weg 24 D40229 Duesseldorf Germany		
Title Decoder		
Size A3	Document Number DECODER.SCH	REV 1
Date: December 31, 2001	Sheet 2	of 7



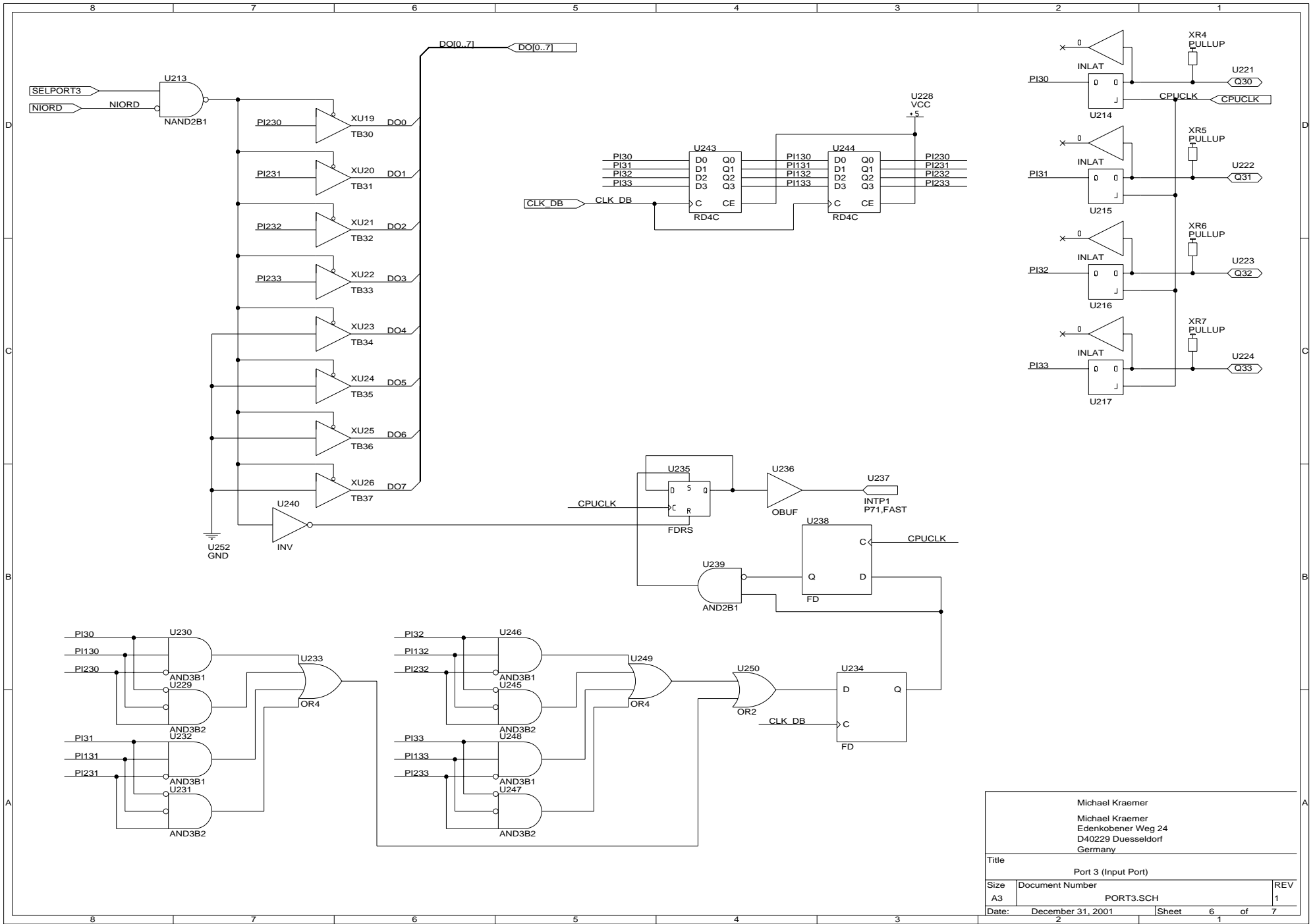
Michael Kraemer Michael Kraemer Edenkobener Weg 24 D40229 Duesseldorf Germany		
Title		
Port 0		
Size	Document Number	REV
A3	PORT0.SCH	1
Date:	December 19, 1999	Sheet 3 of 7



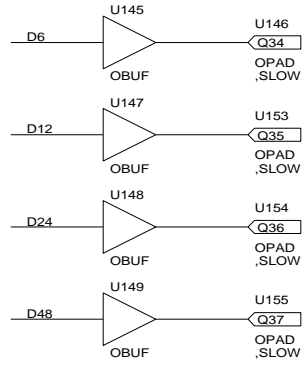
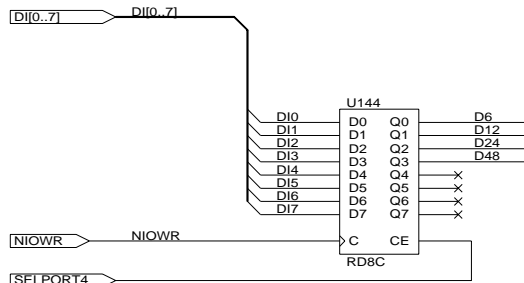
Michael Kraemer Michael Kraemer Edenkobener Weg 24 D40229 Duesseldorf Germany		
Title Port 1 (Output Port)		
Size A3	Document Number PORT1.SCH	REV 1
Date: December 19, 1999	Sheet 2	of 4
		1



Michael Kraemer Michael Kraemer Edenkobener Weg 24 D40229 Duesseldorf Germany		
Title		
Port 2 (SIO, LCD Backlight/neg.V)		
Size	Document Number	REV
A3	PORT2.SCH	1
Date:	March 18, 2000	Sheet 5 of 7
	2	1



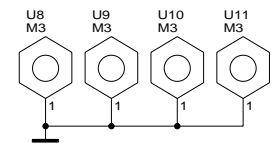
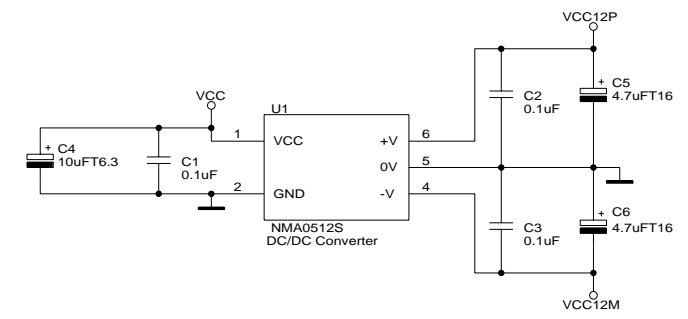
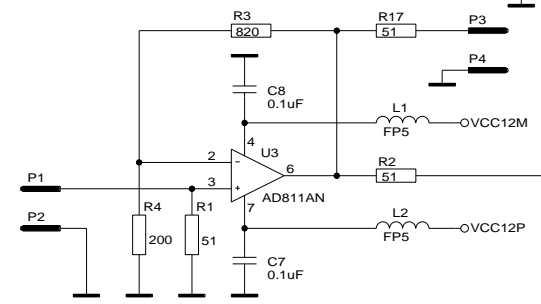
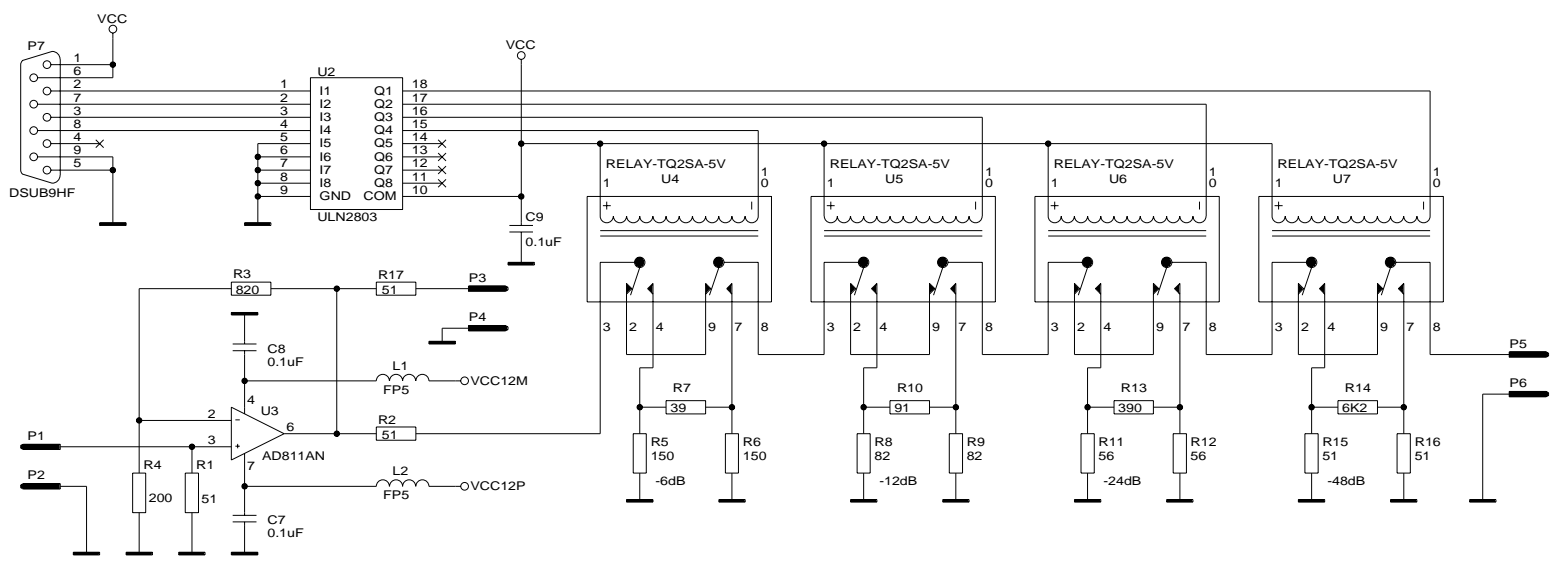
Michael Kraemer Michael Kraemer Edenkobener Weg 24 D40229 Duesseldorf Germany		
Title		
Port 3 (Input Port)		
Size	Document Number	REV
A3	PORT3.SCH	1
Date:	December 31, 2001	Sheet 6 of 7
2		1



Michael Kraemer Michael Kraemer Edenkobener Weg 24 D40229 Duesseldorf Germany		
Title Port 4 (Output Port)		
Size A3	Document Number PORT4.SCH	REV 1
Date: 2	December 31, 2001	Sheet 7 of 7

Schematics

WOBBEL-PA



Michael Kraemer Michael Kraemer Edenkobener Weg 24 D40229 Duesseldorf Germany		
Title		
Endstufe fuer Wobbelsender		
Size	Document Number	REV
A3	WOBBELPA.SCH	1
Date:	May 14, 2000	Sheet 1 of 1

8 7 6 5 4 3 2 1

8 7 6 5 4 3 2 1

D
C
B
A

D
C
B
A