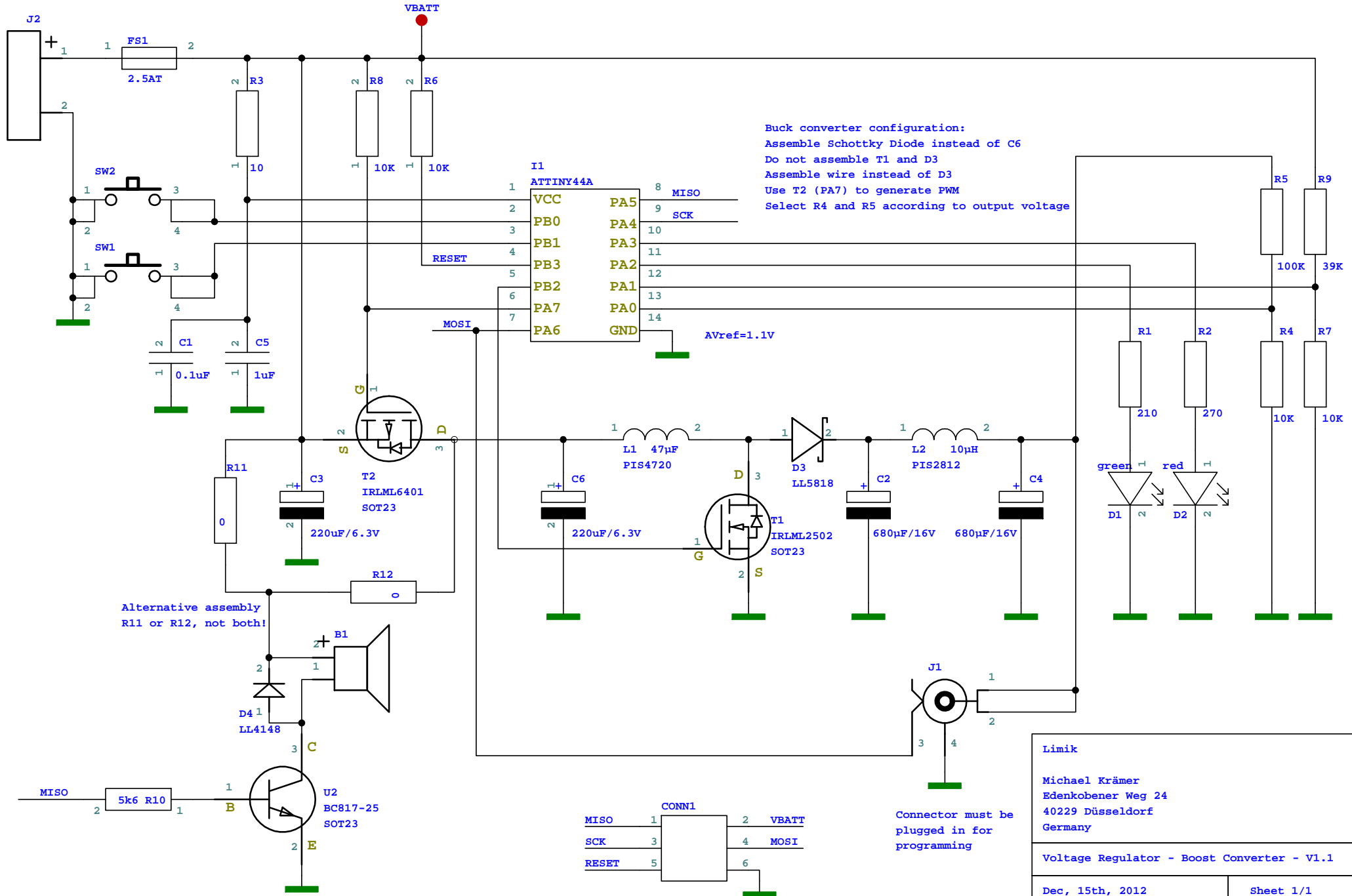


Fehler und Änderungen:



Buck converter configuration:
 Assemble Schottky Diode instead of C6
 Do not assemble T1 and D3
 Assemble wire instead of D3
 Use T2 (PA7) to generate PWM
 Select R4 and R5 according to output voltage

Alternative assembly
 R11 or R12, not both!

Connector must be
 plugged in for
 programming

Limik	
Michael Krämer Edenkobener Weg 24 40229 Düsseldorf Germany	
Voltage Regulator - Boost Converter - V1.1	
Dec, 15th, 2012	Sheet 1/1